



Reed Switch

ttaf.com.tr

Reed Switch

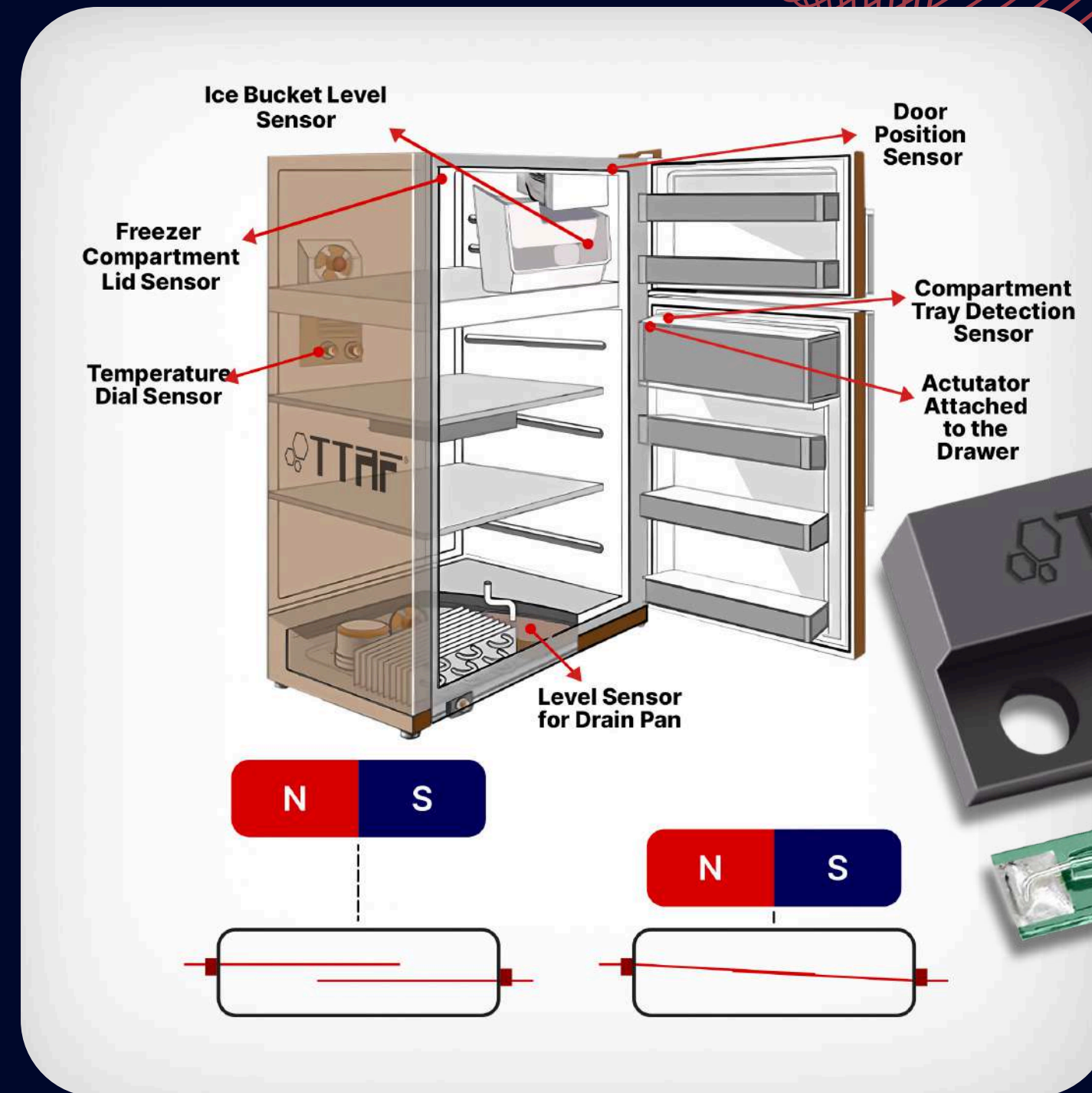
A reed switch is an electrical switch consisting of two metal elements that open and close under the influence of a magnetic field. It is commonly used in sensitive and low-power-consuming devices. This switch acts as a relay, connecting the circuit in the presence of a magnetic field.

Custom Reed Switch Cable Grouping Solutions

With a wide range of applications, the reed switch is a critical component that ensures safe and precise switching in electronic systems. Since it operates with a magnetic field, it is highly durable and long-lasting, making it a preferred choice in various industrial and consumer electronics applications.

Reed Switch Applications:

Security systems, automotive industry, industrial automation, magnetic sensors, electronic lock control, water and gas measurement devices, electrical appliances, wind turbines, home automation, toys, clocks, and display panels, etc.



Applications of Reed Switch

Home Appliances

Reed switches are used in home appliances to monitor the status of doors, control lighting in refrigerators and freezers, and track water levels in washing machines. They are also used as magnetic door sensors to detect whether doors are open or closed.



Smart Home Systems

Reed switches play a role in smart home technologies for monitoring door and window status, controlling energy-efficient lighting, detecting leaks, and power outage applications. Their magnetic operation, durability, and low power consumption make them a reliable and effective choice for home automation and energy efficiency.



Energy Efficiency

Reed switches help optimize energy efficiency in automation systems by enabling automatic water level control, heating and cooling regulation, and automatic light control. In situations where energy use needs to be minimized, reed switches ensure that devices operate only when necessary.



Automotive Industry

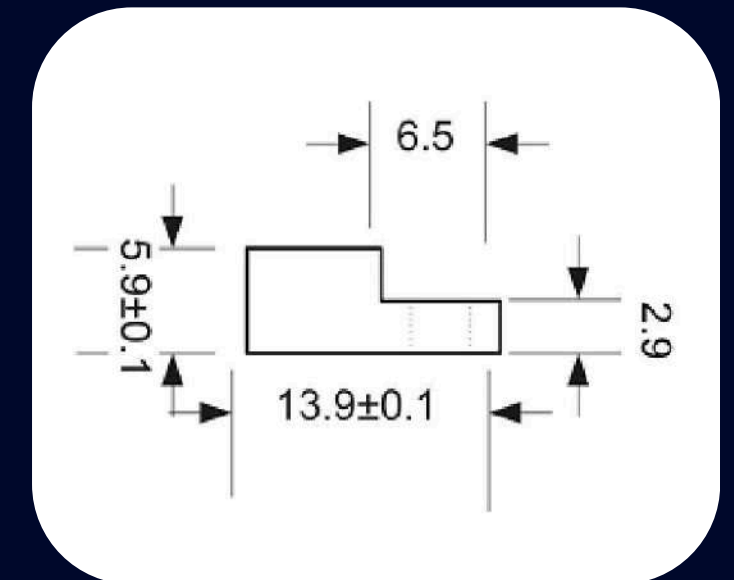
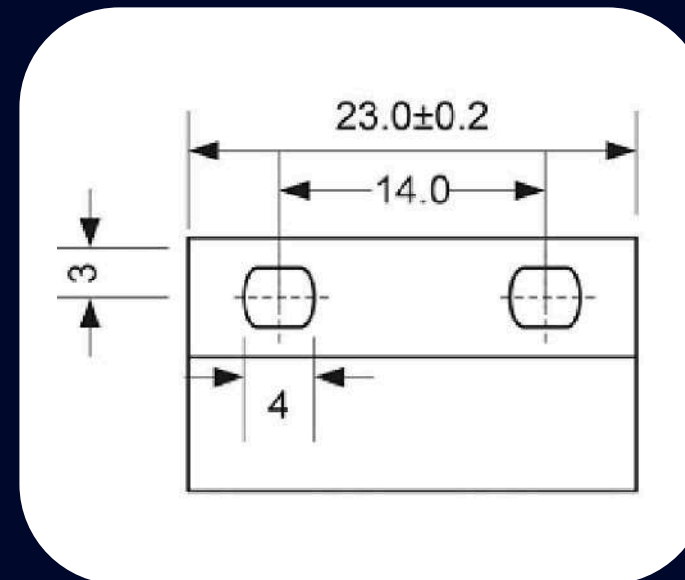
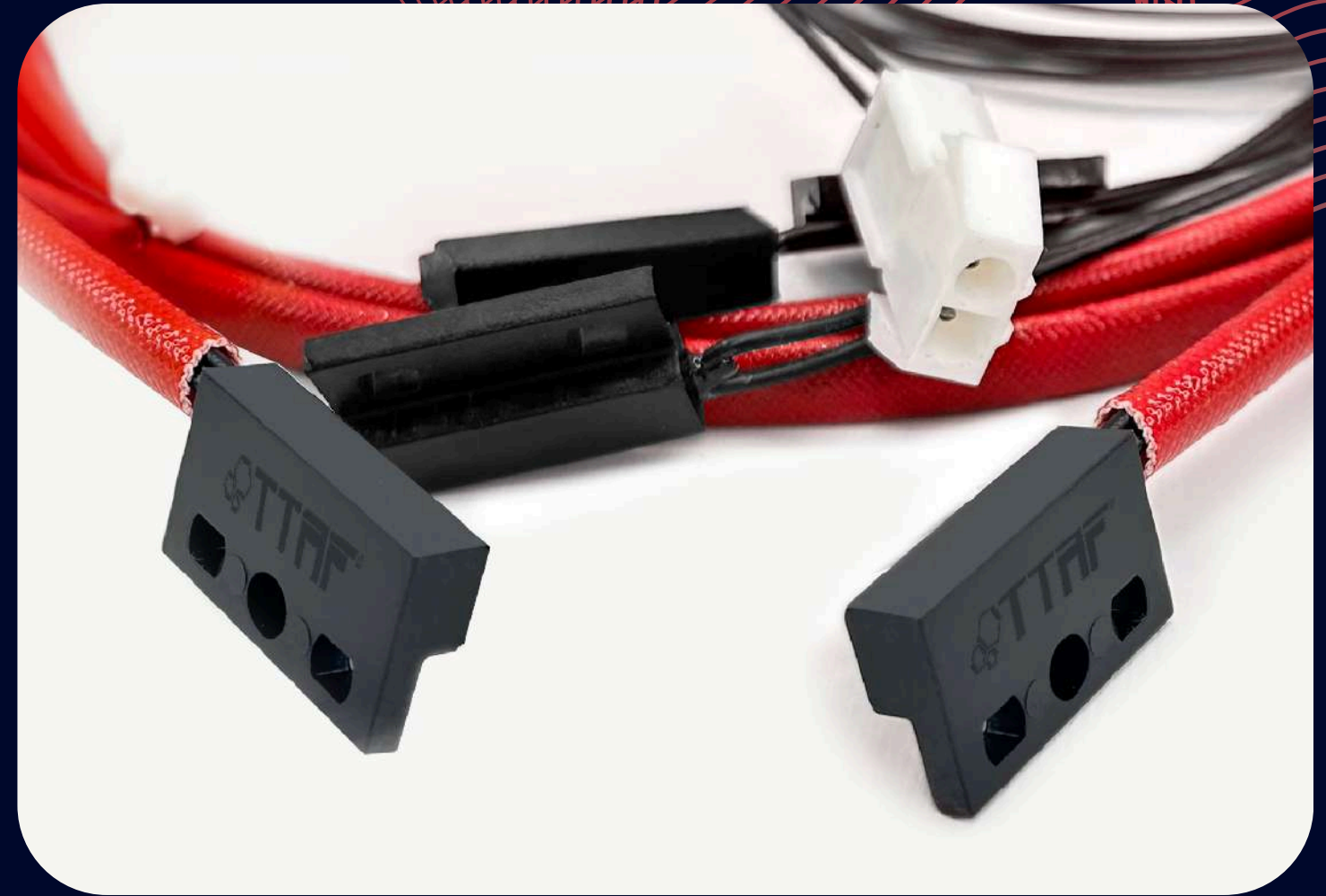
In the automotive industry, reed switches are used in speed and RPM sensors, LED lighting control, automatic window systems, and other applications that improve vehicle energy efficiency and user experience. Their durability, compact size, and low power consumption make reed switches a preferred sensor in automotive applications.



Technical Datasheet of Reed Switch

Electrical Characteristics

Contact Agreement:	Form A (SPST)
Contact Material:	PGM Alloy
Power Rating:	10 V A Max
Switching Current:	0.5 A
Carry Current:	0.75 A
Switching Voltage:	100 VDC 125 VAC
Breakdown Voltage:	200 VDC
Contact Resistance:	150 Miliohm
Insulation Resistance:	10 Ohm
Contact Capacitance:	0.3 Pf
Magnetic Sensivity:	07 - 10 AT
Operate Time:	1.0 ms
Release Time:	0.1 ms
Resonant Frequency:	3.2 Khz
Vibration, 10-2000 Hz (G's Max):	50G
Shock, 11-ms ½ Sine Wave (G's Max):	100G
Operating Temperature:	-40 C to + 125 C





Reed Switch

ttaf.com.tr